



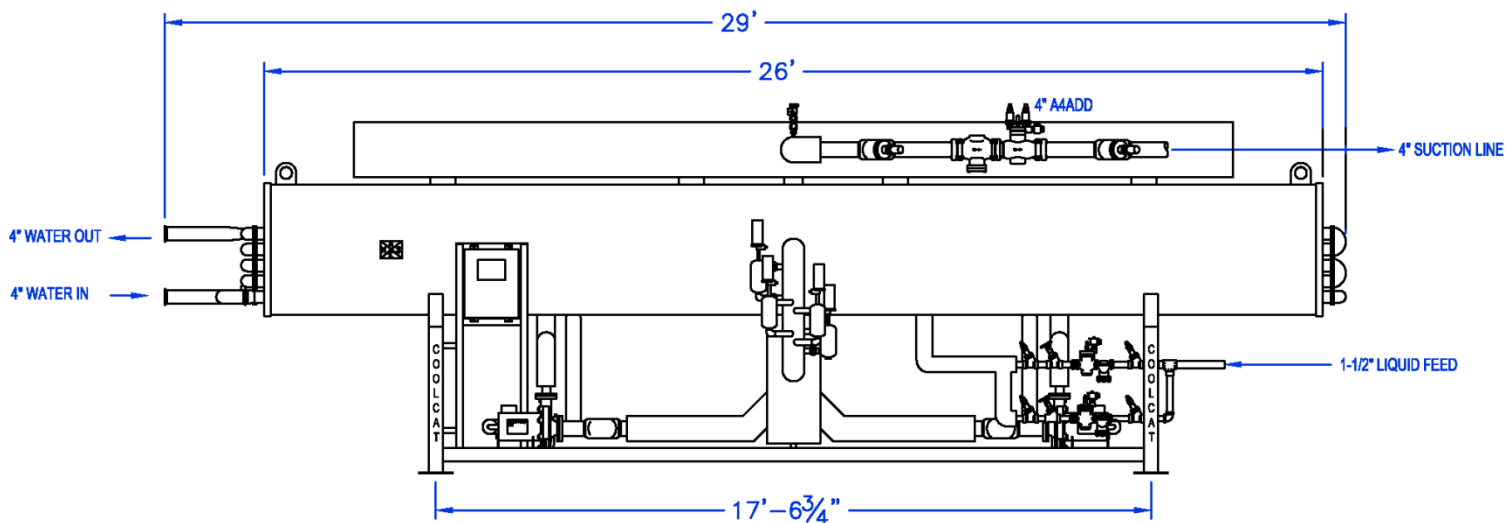
JBT/CAT

201 S Erie Russellville, AR 72801 Phone: 479-890-3433 Fax: 479-967-2651 www.gocatgo.biz

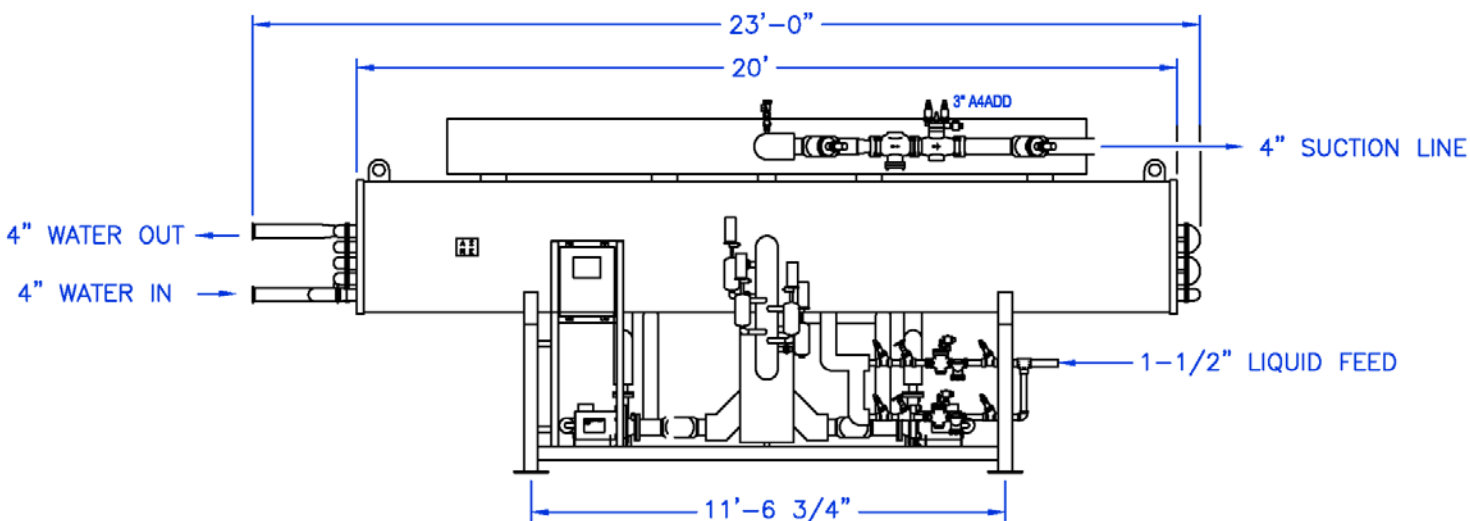
COOLCAT RECHILLER



- Every model features a stainless steel frame and stainless steel components.
- All units have vessels that are ASME rated at 250psi.
- Every model comes completely pre-valved, pre-wired, and pre-insulated. All necessary isolation valves and pressure gauges are included.
- Unique “U” bends are manufactured using our exclusive proprietary process.
- CAT “U” bends DO NOT LEAK.
- Each unit comes complete with hermetically sealed ammonia pumps for minimum energy consumption.
- State-of-the-art digital control packages are standard on each unit to regulate temperature .



2826 CoolCAT



2820 CoolCAT

Rechiller Specifications

Model	Capacity*	Approx. Dimensions			Shipping Weight
		Length	Width	Height	
CAT 1620	100 TR	22 Ft.	5 Ft.	8 Ft. 6 In.	8,305 Lbs.
CAT 1820	125 TR	22 Ft.	5 Ft. 6 In.	9 Ft.	9,800 Lbs.
CAT 2224	160 TR	22 Ft.	5 Ft. 6 In.	9 Ft.	10,060 Lbs.
CAT 2820	200 TR	22 Ft.	5 Ft. 6 In.	9 Ft.	10,385 Lbs.
CAT 2826	250 TR	27 Ft.	5 Ft. 6 In.	9 Ft.	12,805 Lbs.
CAT 2830	300 TR	31 Ft.	5 Ft. 6 In.	9 Ft.	13,500 Lbs.

* Based on 23°F of suction.

For more information, please contact your JBT/CAT Sales Representative