



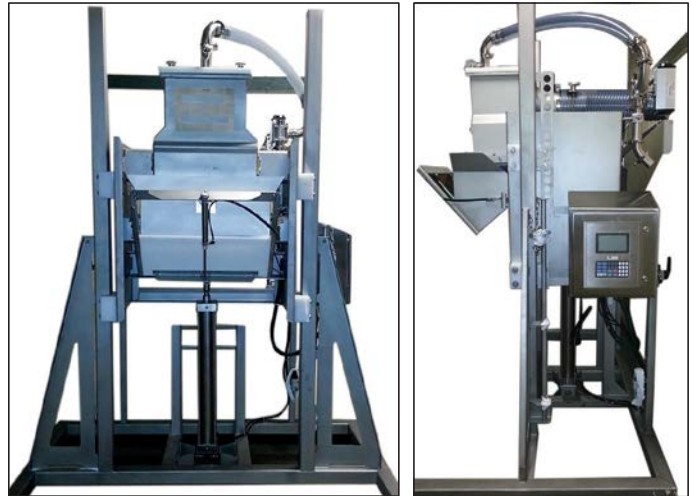
JBT/CAT

201 S Erie Russellville, AR 72801 Phone: 479-890-3433 Fax: 479-967-2651 www.gocatgo.biz

## CAT METERING SYSTEMS

### VACCAT

- Stainless steel vacuum chamber
- UHMW gates
- **Optional:** Vacuum pump
- **Optional:** Floor mount frame
- **Optional:** PPH hoppers
- **Optional:** PDS



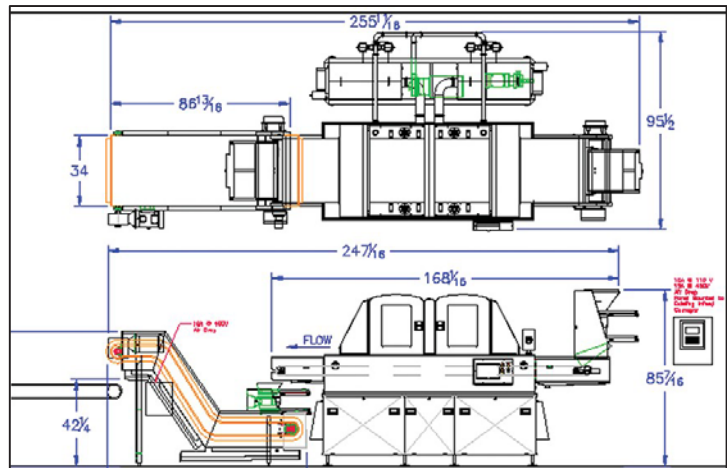
### PDS

- Fully controllable product flow
- UHMW rollers
- Chain driven rollers
- Consecutively faster from top to bottom
- Hydraulic/electric driven



### Pounds-per-Hour

- Single or dual
- Stainless steel construction
- Programmable Indicator
- PPH software (force feeds line to optimum flow rate)
- UHMW gates
- 15 lb., 40 lb., 70 lb. standard hopper size
- **Optional:** Engineered size (based on flow)
- **Optional:** Floor mount frame
- **Optional:** Low profile frame
- **Optional:** Injector mount frame



For more information on the products, systems, and services; please contact your JBT/CAT sales representative.